

**130G00**

# Illustrated Parts List

## Model Series

# 130G00

TYPE NUMBERS  
0001 through 0229.

### TABLE OF CONTENTS

Air Cleaner .....	7
Alternator .....	9
Armature .....	7
Blower Housing .....	9
Camshaft .....	2
Carburetor .....	6
Controls .....	8
Crankcase Cover .....	2
Crankshaft .....	2
Cylinder .....	2
Cylinder Head .....	4
Electric Starter .....	9
Electrical System .....	8
Exhaust System .....	5
Flywheel .....	9
Fuel Supply .....	5
Gasket Set .....	4
Gear Reduction .....	3
Governor Spring .....	8
Piston/Rings/Connecting Rod .....	2
Rewind Starter .....	9
Spark Plug .....	8
Warning Label .....	2



PRINTED IN U.S.A.

COPYRIGHT by BRIGGS & STRATTON CORPORATION  
All rights reserved. No part of this material may be reproduced or transmitted, in any form or by any means, electronic or mechanical, including photocopying, recording or by any information storage and retrieval system, without permission in writing from Briggs & Stratton Corporation.

# 130G00

## 1319 WARNING LABEL



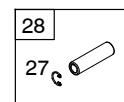
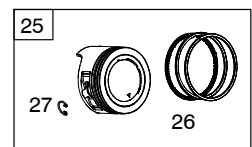
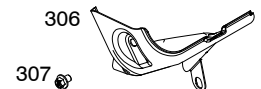
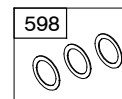
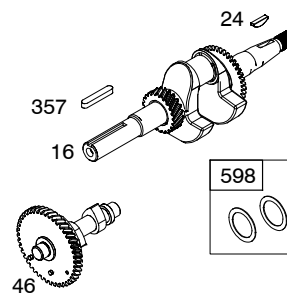
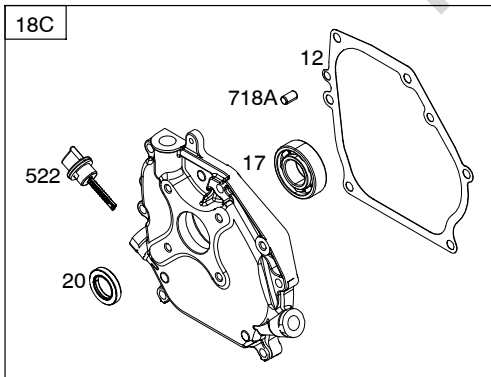
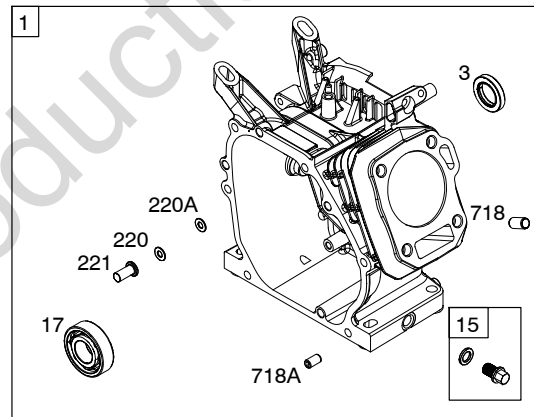
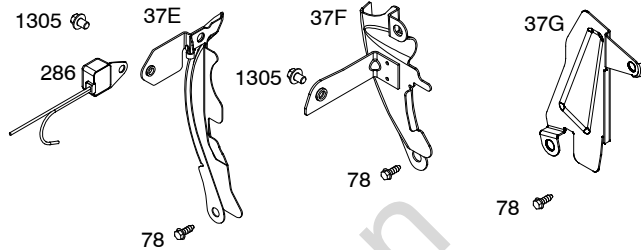
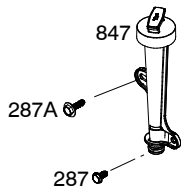
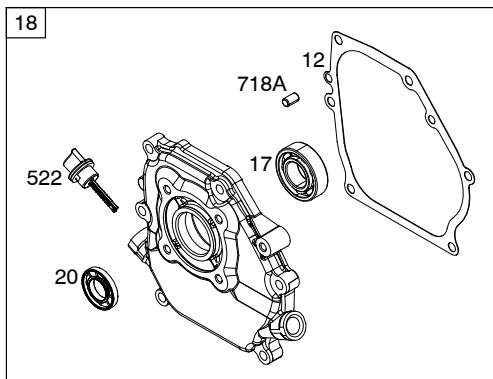
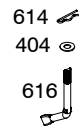
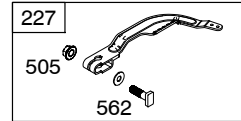
**REQUIRED** when replacing parts with warning labels affixed.

## 1319A WARNING LABEL

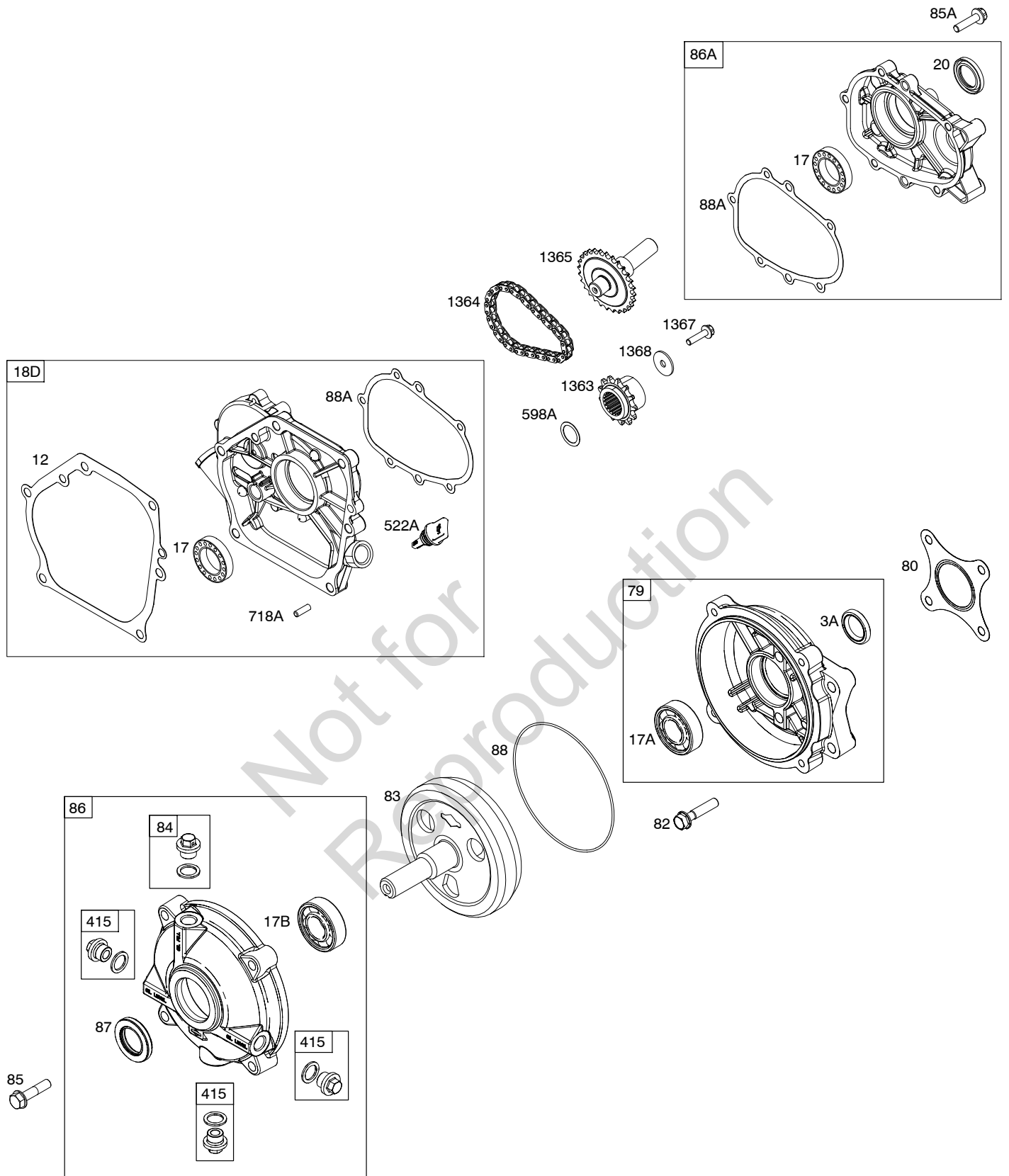


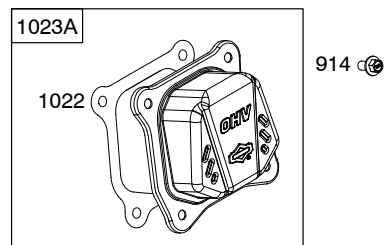
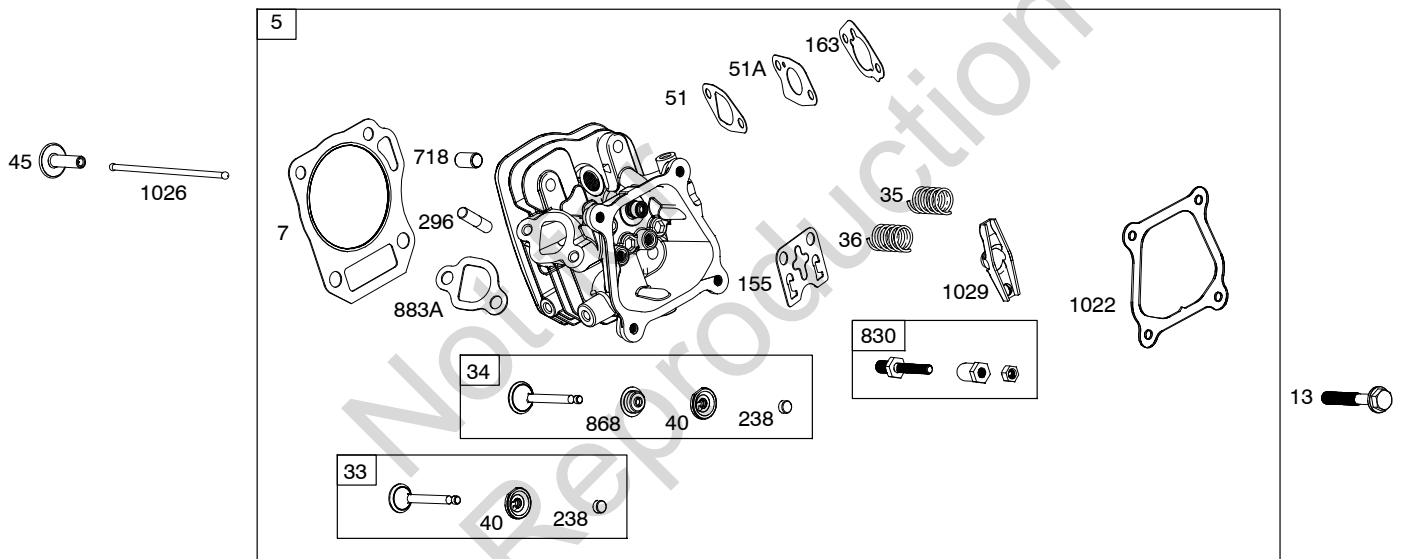
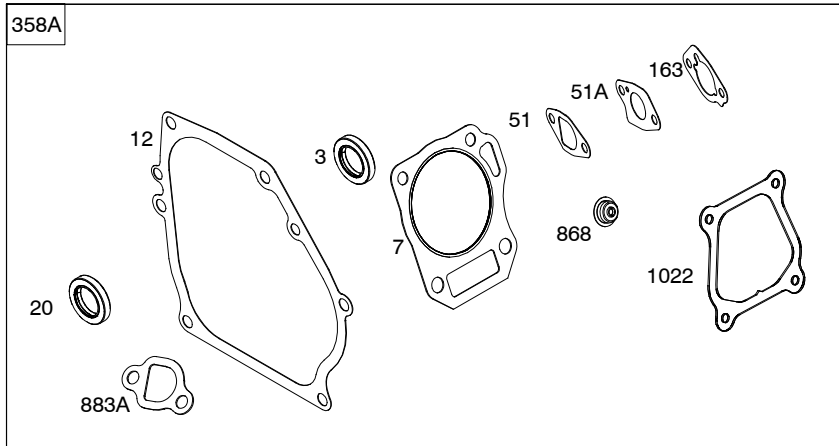
**REQUIRED** when replacing parts with warning labels affixed.

## 1036 EMISSIONS LABEL

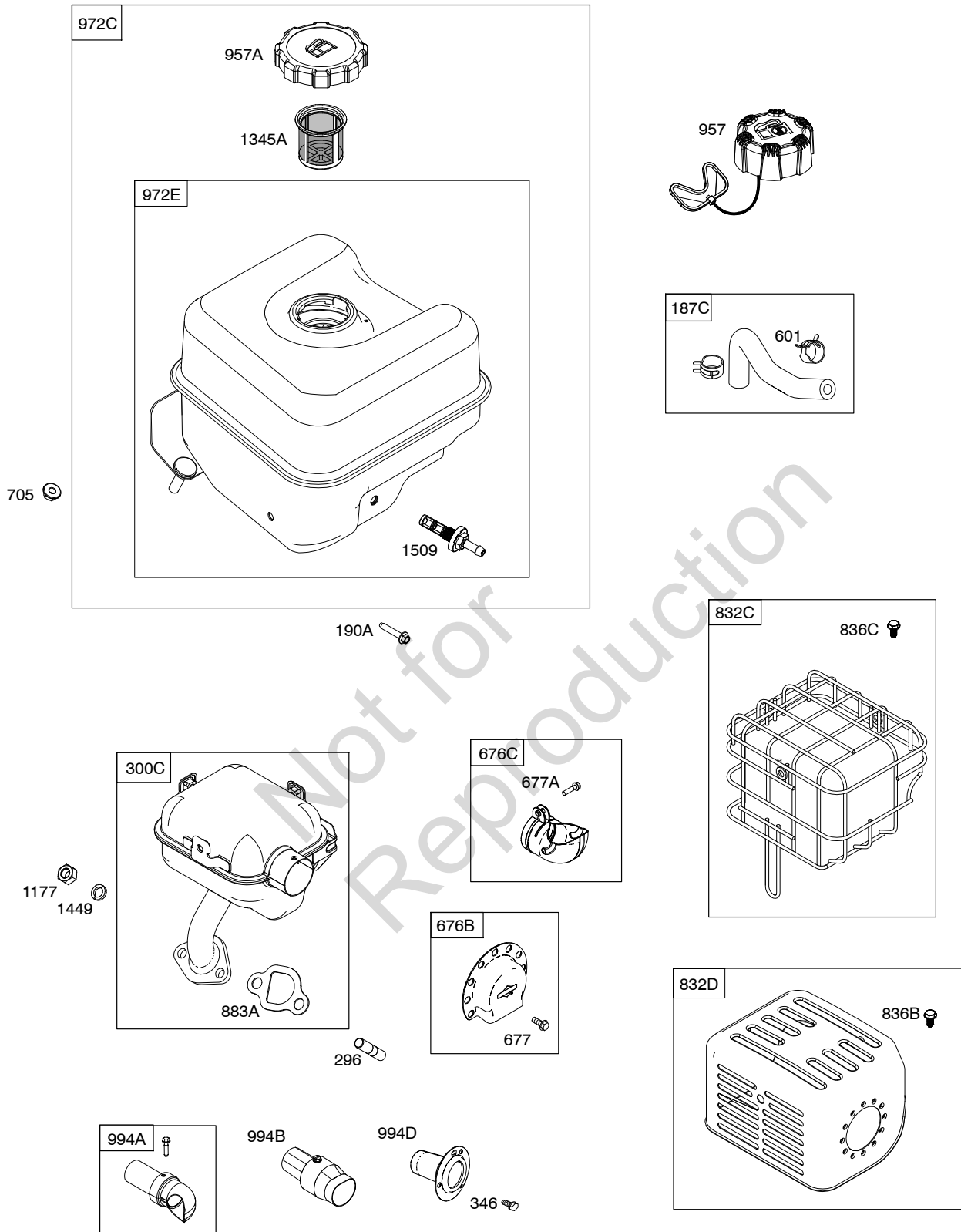


**Illustrations cover a range of engines. Parts shown without text may not be used on your specific engine.**

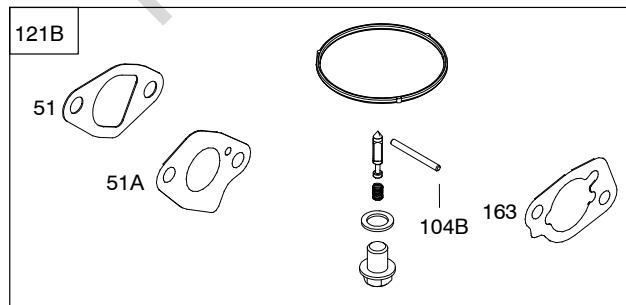
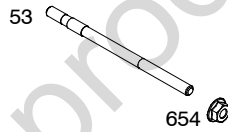
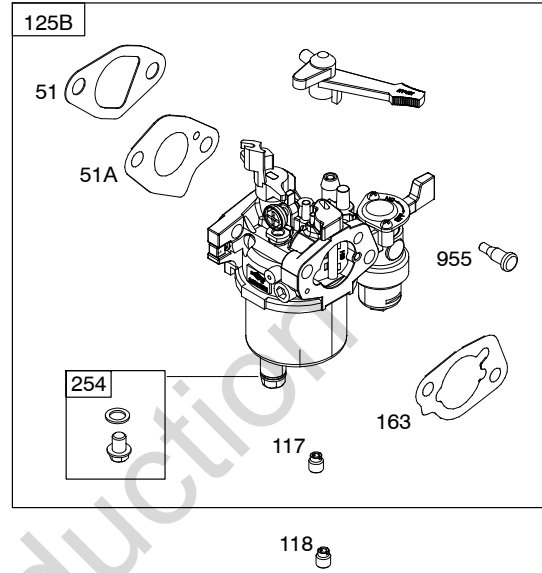
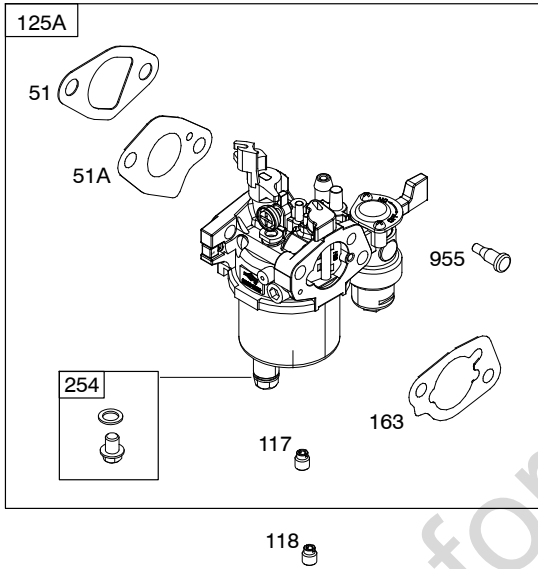
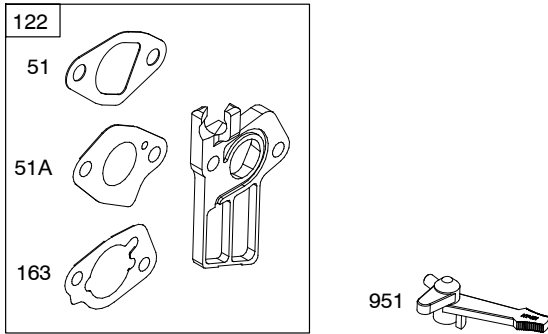




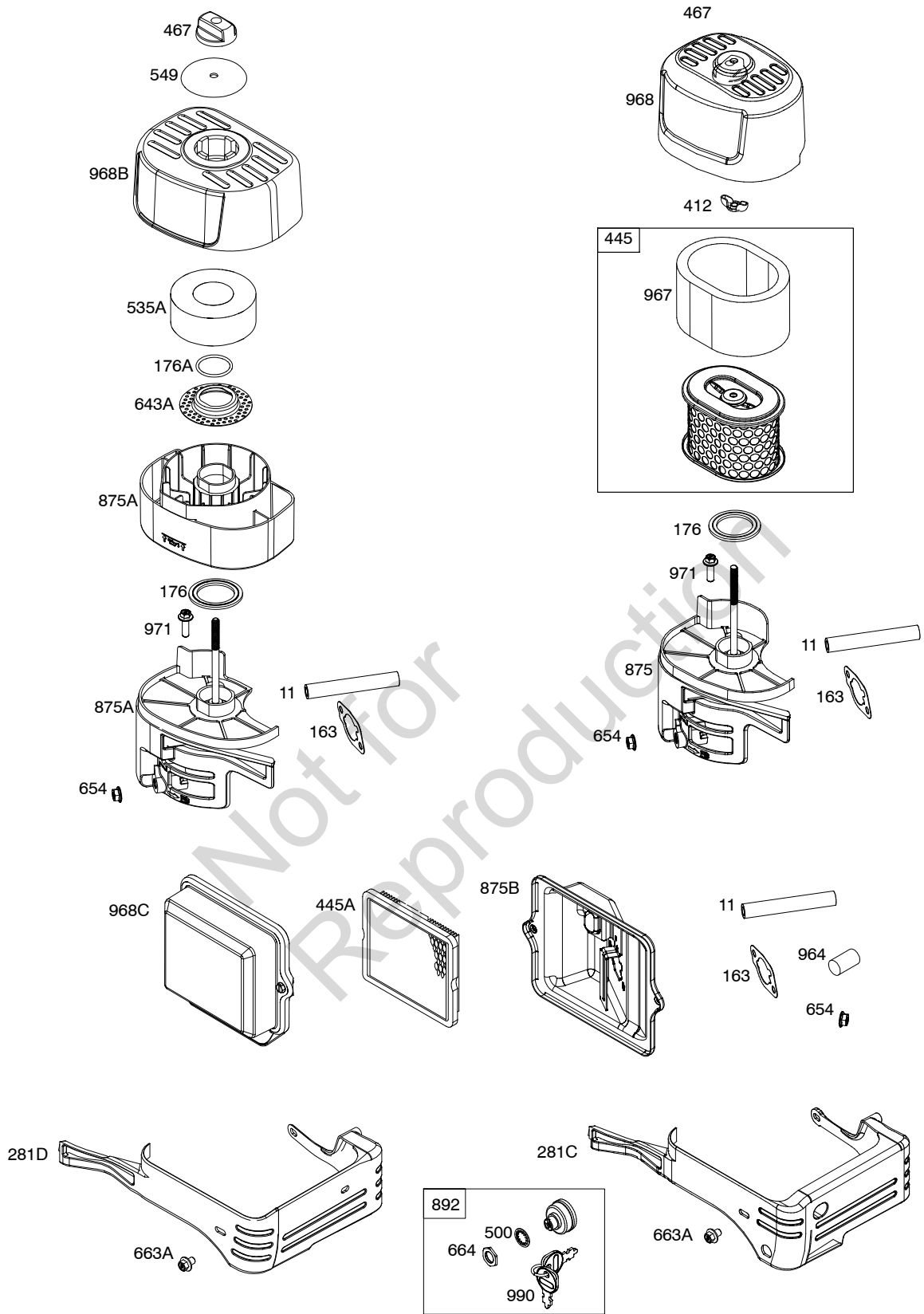
*Illustrations cover a range of engines. Parts shown without text may not be used on your specific engine.*



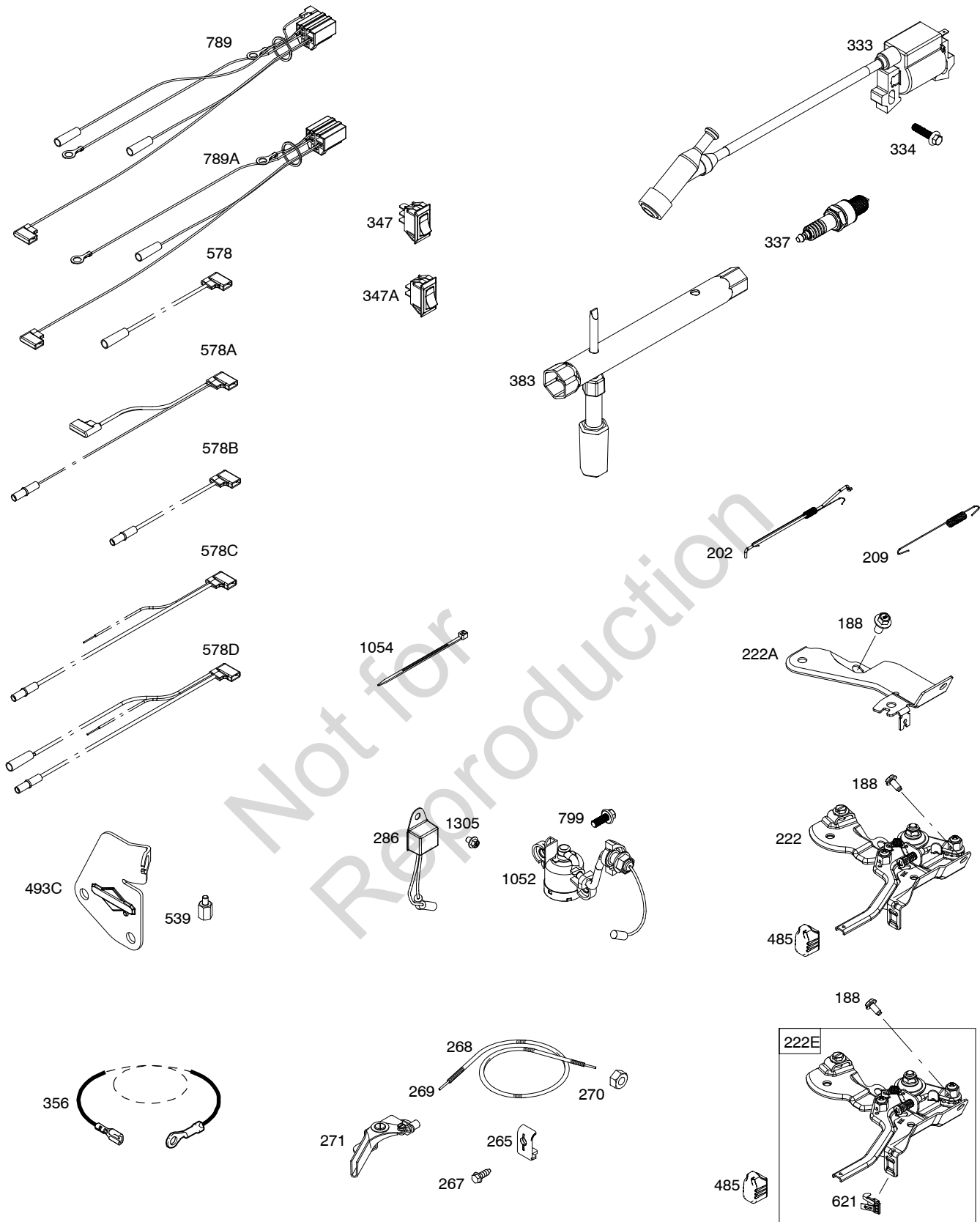
# 130G00



*Illustrations cover a range of engines. Parts shown without text may not be used on your specific engine.*

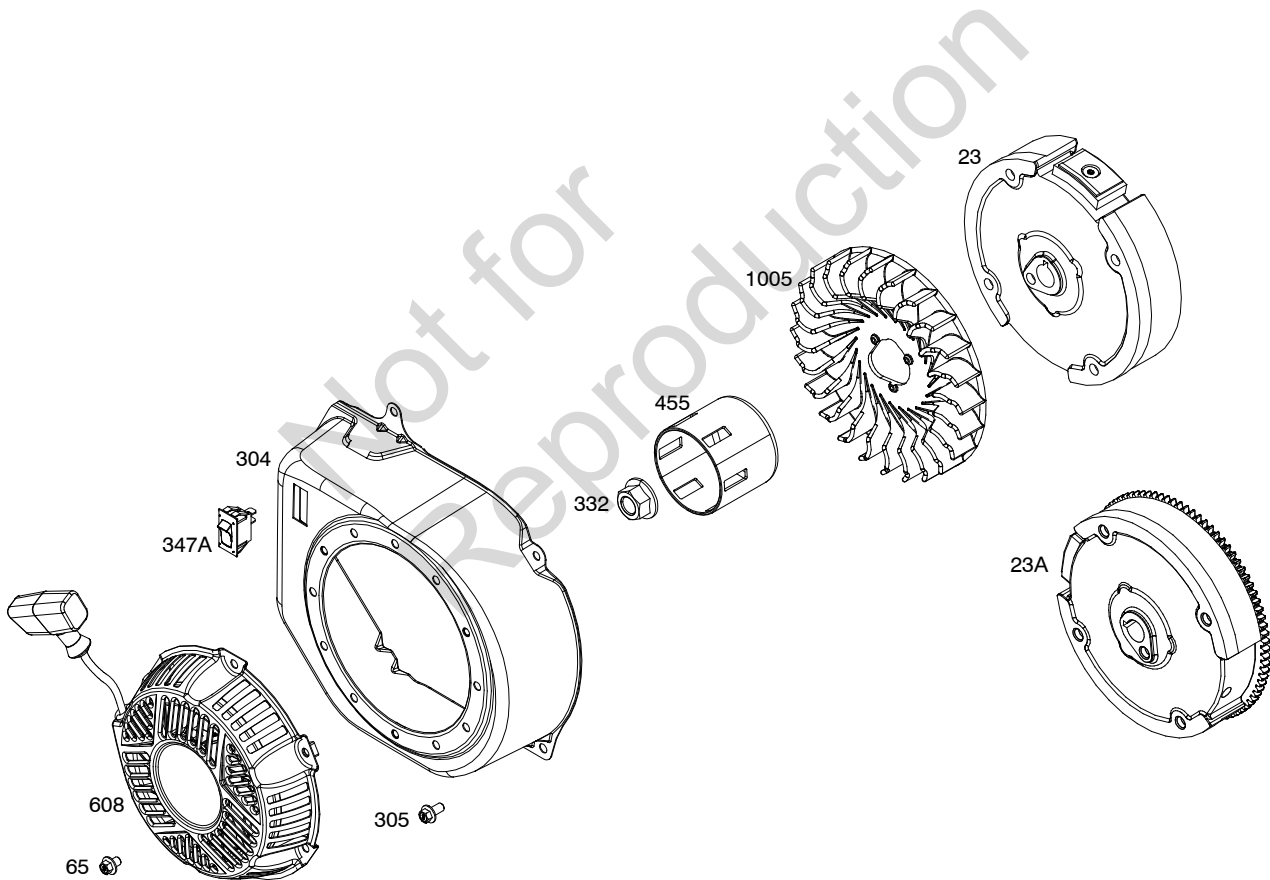
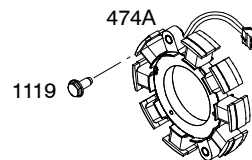
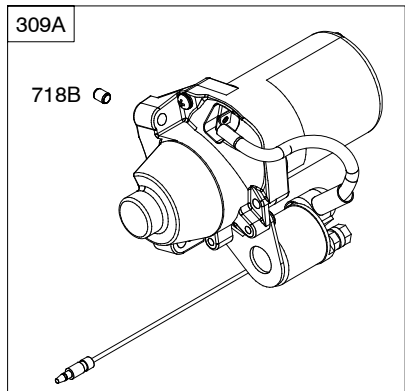


# 130G00



*Illustrations cover a range of engines. Parts shown without text may not be used on your specific engine.*





# 130G00

REF. NO.	PART NO.	DESCRIPTION	REF. NO.	PART NO.	DESCRIPTION	REF. NO.	PART NO.	DESCRIPTION
1	592925	Cylinder Assembly ----- <b>Note</b> ----- <b>592916</b> Cylinder Assembly Used on Type No(s). 0001, 0006, 0007, 0008, 0010, 0017, 0018, 0020, 0021, 0025, 0027, 0029, 0030, 0032, 0034, 0036, 0037, 0039, 0040, 0044, 0047, 0048, 0055, 0056, 0057, 0059, 0060, 0061, 0062, 0063, 0064, 0068, 0089, 0090, 0091, 0092, 0094, 0095, 0104, 0111, 0112, 0115, 0116, 0120, 0121, 0124, 0127, 0130, 0132, 0133, 0134, 0135, 0137, 0138, 0155, 0157, 0225, 0229. <b>596175</b> Cylinder Assembly Used on Type No(s). 0161.	16	591520	Crankshaft ----- <b>Note</b> ----- <b>592924</b> Crankshaft Used on Type No(s). 0002, 0024, 0027, 0028, 0029, 0030, 0035, 0042, 0077, 0089, 0111, 0117, 0120, 0151, 0224, 0229. <b>592933</b> Crankshaft Used on Type No(s). 0004, 0069, 0087. <b>592959</b> Crankshaft Used on Type No(s). 0020, 0127, 0141.  <b>593075</b> Crankshaft Used on Type No(s). 0031, 0075, 0094, 0097, 0109, 0128. <b>593367</b> Crankshaft Used on Type No(s). 0044, 0055, 0059, 0060, 0071, 0074, 0086, 0102, 0104, 0123, 0131, 0138, 0147, 0156. <b>594254</b> Crankshaft Used on Type No(s). 0072. <b>594386</b> Crankshaft Used on Type No(s). 0079, 0083, 0084, 0096, 0161.  <b>594252</b> Crankshaft Used on Type No(s). 0129. <b>595420</b> Crankshaft Used on Type No(s). 0119. <b>595439</b> Crankshaft Used on Type No(s). 0135, 0137. <b>595440</b> Crankshaft Used on Type No(s). 0142, 0143, 0144, 0153, 0155. <b>595062</b> Crankshaft Used on Type No(s). 0093.	18	590717	Cover- Crankcase Used on Type No(s). 0135, 0137.
3	590712	Seal- Oil (Magneto Side)	18C	592296	Cover- Crankcase ----- <b>Note</b> ----- <b>592963</b> Cover- Crankcase Used on Type No(s). 0003, 0015, 0020, 0087, 0122, 0129, 0136. <b>593074</b> Cover- Crankcase Used on Type No(s). 0030, 0035, 0037, 0042, 0044, 0047, 0048, 0055, 0059, 0060, 0064, 0071, 0072, 0074, 0077, 0082, 0083, 0086, 0089, 0094, 0095, 0111, 0117, 0120, 0123, 0131, 0138, 0151, 0156. <b>596200</b> Cover- Crankcase Used on Type No(s). 0147.			
3A	299819S	Seal- Oil (Magneto Side)	18D	595452	Cover- Crankcase Used on Type No(s). 0142, 0143, 0144, 0153, 0155.			
5	591454	Head- Cylinder	20	590712	Seal- Oil (PTO Side)			
7	591445	Gasket- Cylinder Head	22	590714	Screw (Crankcase Cover/Sump)			
11	590698	Tube- Breather ----- <b>Note</b> ----- <b>593443</b> Tube- Breather Used on Type No(s). 0161.	23	590681	Flywheel			
12	590608	Gasket- Crankcase	23A	591534	Flywheel Used on Type No(s). 0105, 0114, 0129, 0130, 0133, 0136, 0144, 0151, 0152.			
13	590639	Screw (Cylinder Head)	24	797286	Key- Flywheel			
15	590678	Plug- Oil Drain						
			17	590715	Bearing- Ball			
			17A	99158	Bearing- Ball			
			17B	792745	Bearing- Ball			

REF. NO.	PART NO.	DESCRIPTION	REF. NO.	PART NO.	DESCRIPTION	REF. NO.	PART NO.	DESCRIPTION
<b>25</b>	<b>591451</b>	Piston Assembly (Standard) ----- <b>Note</b> ----- <b>592955</b> Piston Assembly (Standard) Used on Type No(s). 0015, 0021, 0022, 0040, 0056, 0061, 0063, 0064, 0067, 0069, 0075, 0077, 0082, 0092, 0093, 0101, 0110, 0112, 0115, 0116, 0121, 0122, 0124, 0126, 0127, 0128, 0130, 0132, 0133, 0134, 0135, 0136, 0137, 0141, 0152, 0156, 0157. <b>591551</b> Piston Assembly (.020" Oversize) <b>592956</b> Piston Assembly (.020" Oversize) Used on Type No(s). 0015, 0021, 0022, 0040, 0056, 0061, 0063, 0064, 0067, 0069, 0075, 0077, 0082, 0092, 0093, 0101, 0110, 0112, 0115, 0116, 0121, 0122, 0124, 0126, 0127, 0128, 0130, 0132, 0133, 0134, 0135, 0136, 0137, 0141, 0152, 0156, 0157.	<b>26</b>	<b>591452</b>	Ring Set (Standard) ----- <b>Note</b> ----- <b>592957</b> Ring Set (Standard) Used on Type No(s). 0015, 0021, 0022, 0040, 0056, 0061, 0063, 0064, 0067, 0069, 0075, 0077, 0082, 0092, 0093, 0101, 0110, 0112, 0115, 0116, 0121, 0122, 0124, 0126, 0127, 0128, 0130, 0132, 0133, 0134, 0135, 0136, 0137, 0141, 0152, 0156, 0157. <b>591552</b> Ring Set (.020" Oversize) <b>592958</b> Ring Set (.020" Oversize) Used on Type No(s). 0015, 0021, 0022, 0040, 0056, 0061, 0063, 0064, 0067, 0069, 0075, 0077, 0082, 0092, 0093, 0101, 0110, 0112, 0115, 0116, 0121, 0122, 0124, 0126, 0127, 0128, 0130, 0132, 0133, 0134, 0135, 0136, 0137, 0141, 0152, 0156, 0157.	<b>37G</b>	<b>596201</b>	Guard- Flywheel Used on Type No(s). 0161.
			<b>27</b>	<b>590664</b>	Lock- Piston Pin	<b>40</b>	<b>590654</b>	Retainer- Valve
			<b>28</b>	<b>590663</b>	Pin- Piston	<b>45</b>	<b>591449</b>	Tappet- Valve
			<b>29</b>	<b>590665</b>	Rod- Connecting	<b>46</b>	<b>593289</b>	Camshaft
			<b>33</b>	<b>591448</b>	Valve- Exhaust	<b>51</b>	<b>590612</b>	Gasket- Intake
			<b>34</b>	<b>591447</b>	Valve- Intake	<b>51A</b>	<b>590613</b>	Gasket- Intake
			<b>35</b>	<b>590650</b>	Spring- Valve (Intake)	<b>53</b>	<b>590691</b>	Stud (Carburetor)
			<b>36</b>	<b>590650</b>	Spring- Valve (Exhaust)	<b>65</b>	<b>590683</b>	Screw (Rewind Starter)
			<b>37A</b>	<b>591453</b>	Guard- Flywheel Used on Type No(s). 0130, 0133.	<b>78</b>	<b>590643</b>	Screw (Flywheel Guard)
			<b>37D</b>	<b>592865</b>	Guard- Flywheel	<b>79</b>	<b>792746</b>	Case- Gear Reduction
			<b>37E</b>	<b>595436</b>	Guard- Flywheel	<b>80</b>	<b>792755</b>	Gasket- Gear Case
			<b>37F</b>	<b>595423</b>	Guard- Flywheel Used on Type No(s). 0129, 0136, 0152.	<b>82</b>	<b>792753</b>	Screw (Gear Reduction Case)
						<b>83</b>	<b>792756</b>	Shaft- Auxiliary Drive
						<b>84</b>	<b>792759</b>	Plug- Breather
						<b>85</b>	<b>690711</b>	Screw (Gear Cover)
						<b>85A</b>	<b>807421</b>	Screw (Gear Cover)
						<b>86</b>	<b>792748</b>	Cover- Gear
						<b>86A</b>	<b>595449</b>	Cover- Gear
						<b>87</b>	<b>792752</b>	Seal- Gear Reduction
						<b>88</b>	<b>792760</b>	Gasket- Gear Cover/Housing
						<b>88A</b>	<b>595445</b>	Gasket- Gear Cover/Housing
						<b>104B</b>	<b>592486</b>	Pin- Float Hinge
						<b>117</b>	<b>592875</b>	Jet- Main (Standard) ----- <b>Note</b> ----- <b>592917</b> Jet- Main (Standard) Used on Type No(s). 0032, 0034, 0036, 0039, 0044, 0055, 0057, 0059, 0086, 0138, 0143, 0161.
						<b>118</b>	<b>593359</b>	Jet- Main (High Altitude) ----- <b>Note</b> ----- <b>593360</b> Jet- Main (High Altitude) Used on Type No(s). 0032, 0034, 0036, 0039, 0044, 0055, 0057, 0059, 0086, 0138, 0143, 0161.
						<b>121B</b>	<b>591770</b>	Kit- Carburetor Overhaul
						<b>122</b>	<b>590615</b>	Spacer- Carburetor

# 130G00

REF. NO.	PART NO.	DESCRIPTION	REF. NO.	PART NO.	DESCRIPTION	REF. NO.	PART NO.	DESCRIPTION
125A	592864	Carburetor ----- <b>Note</b> ----- <b>593351</b> Carburetor Used on Type No(s). 0032, 0034, 0036, 0039, 0044, 0055, 0057, 0059, 0086, 0138, 0143. <b>593410</b> Carburetor Used on Type No(s). 0071, 0072, 0079, 0097, 0109, 0142, 0224, 0225, 0226, 0229.			<b>591624</b> Spring - Governor (Yellow) Used on Type No(s). 0083, 0097. <b>590623</b> Spring - Governor (Yellow) Used on Type No(s). 0005, 0006, 0044, 0048, 0055, 0057, 0059, 0064, 0111, 0133, 0152, 0157.	287A	790557	Screw (Dipstick Tube)
			220	590677	Washer (Governor Gear) (.020" Thick)	296	590631	Stud (Muffler)
125B	596203	Carburetor Used on Type No(s). 0161.	220A	590675	Washer (Governor Gear) (.040" Thick)	300C	592861	Muffler
155	592874	Plate- Cylinder Head	221	590676	Cup- Governor	304	590724	Housing- Blower ----- <b>Note</b> ----- <b>590725</b> Housing- Blower Used on Type No(s). 0006, 0007, 0018, 0032, 0034, 0036, 0037, 0044, 0047, 0048, 0061, 0062, 0064, 0068, 0082, 0092, 0095, 0104, 0115, 0116, 0120, 0127, 0137, 0140. <b>595426</b> Housing- Blower Used on Type No(s). 0129, 0130, 0133, 0136, 0152.
163	590605	Gasket- Air Cleaner	222	592413	Bracket- Control			
176	590695	Seal- O Ring (Air Cleaner Base)	222A	591614	Bracket- Control Used on Type No(s). 0079, 0083, 0084, 0096, 0097, 0161.	305	590850	Screw (Blower Housing)
176A	793441	Seal- O Ring (Air Cleaner Base)	222E	593204	Bracket- Control Used on Type No(s). 0006, 0007, 0032, 0034, 0036, 0037, 0044, 0047, 0048, 0061, 0062, 0064, 0068, 0082, 0095, 0104, 0115, 0116, 0120, 0127, 0137, 0140.	306	590636	Shield- Cylinder
187C	592867	Line- Fuel (Formed Hose)				307	590683	Screw (Cylinder Shield)
188	590850	Screw (Control Bracket)				309A	595424	Motor- Starter
190A	591476	Screw (Fuel Tank)				332	590635	Nut (Flywheel)
202	592866	Link- Mechanical Governor				333	590603	Armature- Magneto
209	590625	Spring- Governor (Blue) ----- <b>Note</b> ----- <b>590627</b> Spring - Governor (Green) Used on Type No(s). 0016. <b>590624</b> Spring - Governor (White) Used on Type No(s). 0007, 0034, 0056, 0061, 0062, 0068, 0116. <b>594474</b> Spring - Governor (Red) Used on Type No(s). 0079, 0084, 0096, 0161.	227	590660	Lever- Governor Control	334	590644	Screw (Magneto Armature)
			238	590649	Cap- Valve	337	691043	Plug- Spark (EMS) ----- <b>Note</b> ----- <b>491055s</b> Plug- Spark (Resistor) Used on Type No(s). 0001, 0002, 0003, 0004, 0010, 0015, 0024, 0025, 0026, 0027, 0028, 0029, 0031, 0036, 0039, 0041, 0042, 0067, 0071, 0072, 0079, 0081, 0083, 0084, 0086, 0089, 0093, 0097, 0109, 0110, 0111, 0112, 0116, 0121, 0122, 0124, 0130, 0136, 0140, 0142, 0143, 0144, 0151, 0155, 0224, 0225, 0226, 0229.
			254	592493	Drain- Carburetor Bowl			
			265	691024	Clamp- Casing			
			267	699492	Screw (Casing Clamp)			
			268	691025	Casing- Control Wire (Cut To Required Length)			
			269	691026	Wire- Control (Cut To Required Length)			
			270	691027	Nut (Control Wire Casing)			
			271	691028	Lever- Control			
			281D	592863	Panel- Control			
			281C	595427	Panel- Control			
			286	590702	Module- Oil Sensor			
			287	590850	Screw (Dipstick Tube)			

REF. NO.	PART NO.	DESCRIPTION	REF. NO.	PART NO.	DESCRIPTION	REF. NO.	PART NO.	DESCRIPTION
346	699203	Screw (Spark Arrestor)	474A	591533	Alternator (60W A/C Only)	578D	590722	Wire Assembly Used on Type No(s). 0006, 0007, 0032, , 0034, 0036, 0037, 0044, 0047, 0048, 0061, 0062, 0064, 0068, 0082, 0095, 0104, 0115, 0120, 0127, 0137, 0140.
347	697854	Switch- Rocker			----- Note -----			----- Note -----
347A	795333	Switch- Rocker Used on Type No(s). 0001, 0008, 0010, 0017, 0020, 0021, 0025, 0027, 0029, 0030, 0039, 0040, 0055, 0056, 0057, 0059, 0060, 0063, 0089, 0090, 0091, 0094, 0111, 0112, 0121, 0124, 0132, 0134, 0135, 0138, 0155, 0157, 0225, 0229.	485	797339	Knob- Control	598	594475	Shim- End Play (Crankshaft or Camshaft Bearing)
			493C	593449	Bracket- Mounting			(For Pump Applications Only)
			500	691086	Washer (Key Switch)	598A	595451	Shim- End Play (Crankshaft or Camshaft Bearing)
			505	590641	Nut (Governor Control Lever)	601	791850	Clamp- Hose
356	695630	Wire- Stop	522	590716	Plug- Dipstick/Fill	608	590607	Starter- Rewind ----- Note -----
357	590719	Key- Drive Pulley ----- Note ----- 798305 Key- Drive Pulley Used on Type No(s). 0001, 0005, 0006, 0017, 0025, 0026, 0039, 0041, 0057, 0067, 0101, 0105, 0112, 0114, 0119, 0124, 0134, 0140, 0141, 0152, 0157, 0225, 0226.	522A	798503	Plug- Dipstick/Fill Used on Type No(s). 0142, 0143, 0144, 0153, 0155.			593368 Starter- Rewind Used on Type No(s). 0056, 0061, 0062, 0077, 0091.
			535A	792472	Filter- Air Cleaner Foam	614	590670	Pin- Cotter
			539	593448	Stud (Fuel Injector Rail)	616	590668	Crank- Governor
			549	593365	Washer (Air Cleaner)	621	692310	Switch- Stop
			562	590640	Bolt (Governor Control Lever)	643A	593363	Retainer- Air Filter
358A	594951	Gasket Set- Engine	578	590690	Wire Assembly	654	590692	Nut (Carburetor)
383	590721	Wrench- Spark Plug	578A	590689	Wire Assembly	663A	590850	Screw (Control Panel)
404	590669	Washer (Governor Crank)	578B	592247	Wire Assembly Used on Type No(s). 0018, 0092.	664	691087	Nut (Key Switch)
412	590697	Nut (Air Cleaner Cover)			----- Note ----- 592247 Wire Assembly (Used Before Code Date 16030300) Used on Type No(s). 0116.	676B	393760	Deflector- Muffler
415	792749	Plug (Gear Cover)	578C		Wire Assembly (For Replacement Wire Assembly, Order Reference 578D) Used on Type No(s). 0082.	676C	697816	Deflector- Muffler
445	590601	Filter- Air Cleaner Cartridge				677	699203	Screw (Muffler Deflector)
445A	595030	Filter- Air Cleaner Cartridge (Flat Panel Air Cleaner)				677A	699776	Screw (Muffler Deflector)
455	590682	Cup- Flywheel				705	592620	Nut (Fuel Tank)
467	691985	Knob- Air Cleaner Cover				718	590637	Pin- Locating (Cylinder Head)
						718A	590713	Pin- Locating (Crankcase Cover)
						718B	591466	Pin- Locating (Starter Motor)

# 130G00

REF. NO.	PART NO.	DESCRIPTION	REF. NO.	PART NO.	DESCRIPTION	REF. NO.	PART NO.	DESCRIPTION
789	595429	Harness- Wiring Used on Type No(s). 0129, 0136, 0152. ----- <b>Note</b> ----- 595430 Harness- Wiring Used on Type No(s). 0130.	883A	591156	Gasket- Exhaust	994B	790153	Arrestor- Spark
			892	595428	Switch- Key	994D	793985	Arrestor- Spark
			914	590850	Screw (Rocker Cover)	1005	590679	Fan- Flywheel
			951	590614	Lever- Choke	1009	591476	Screw (Starter Motor)
			955	595329	Plug- Carburetor	1022	797194	Gasket- Rocker Cover
			957	799324	Cap- Fuel Tank	1023A	592903	Cover- Rocker
789A	595431	Harness- Wiring Used on Type No(s). 0133.	957A	794641	Cap- Fuel Tank	1026	590658	Rod- Push
			964	799159	Cap- Connector	1029	590651	Arm- Rocker
			967	590602	Filter- Pre Cleaner	1036		Label- Emissions (Available From A Briggs & Stratton Authorized Dealer)
799	590703	Screw (Oil Sensor)	968	590694	Cover- Air Cleaner			
830	590653	Stud- Rocker Arm	968B	593364	Cover- Air Cleaner	1052	590671	Sensor- Oil
832C	592862	Guard- Muffler	968C	791082	Cover- Air Cleaner (Flat Panel Air Cleaner)	1054	280275	Tie- Cable
832D	592918	Guard- Muffler	971	590643	Screw (Air Cleaner Base to Carburetor/Throttle Body)	1119	590644	Screw (Alternator)
836B	590683	Screw (Muffler Guard)	972C	592877	Tank- Fuel	1177	590632	Nut (Muffler)
836C	590850	Screw (Muffler Guard)	972E	592954	Tank- Fuel	1305	590683	Screw (Oil Sensor Module)
847	591444	Dipstick/Tube Assembly	990	691959	Key Set	1319	794467	Label- Warning
868	590648	Seal- Valve (Intake)	994A	593207	Arrestor- Spark Used on Type No(s). 0030, 0047, 0095, 0096, 0120.	1319A	797669	Label- Warning
875	590693	Base- Air Cleaner				1345A	792917	Filter- Filler Neck
875A	593362	Base- Air Cleaner Used on Type No(s). 0032, 0034, 0036, 0039, 0044, 0055, 0057, 0059, 0086, 0138, 0143.				1363	595446	Sprocket- Gear Reduction
875B	596199	Base- Air Cleaner (Flat Panel Air Cleaner) Used on Type No(s). 0161.				1364	595447	Chain- Gear Reduction
						1365	595448	Shaft- Output Gear Reduction
						1367	596202	Screw (Gear Reduction Sprocket)
						1368	595450	Washer (Gear Reduction Sprocket)
						1449	590633	Washer (Muffler)
						1509	797346	Outlet- Tank

Not for  
Reproduction

Not for  
Reproduction

